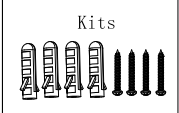
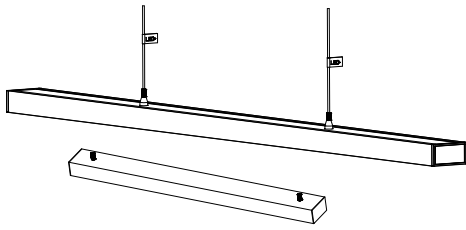


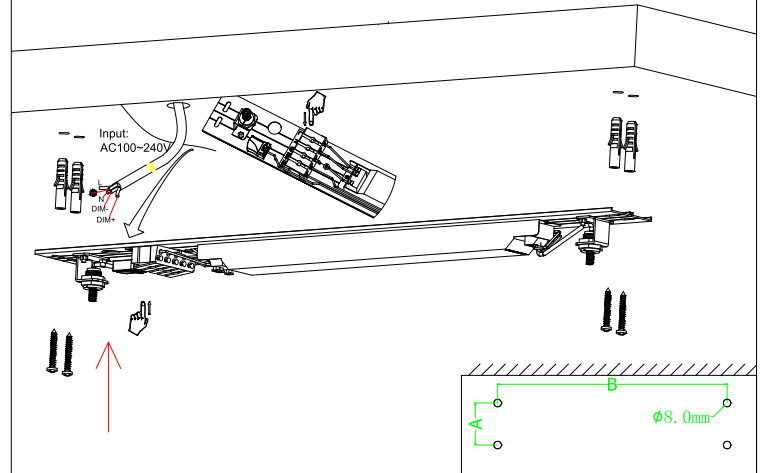
Installation\ instructio

1 Pendant light

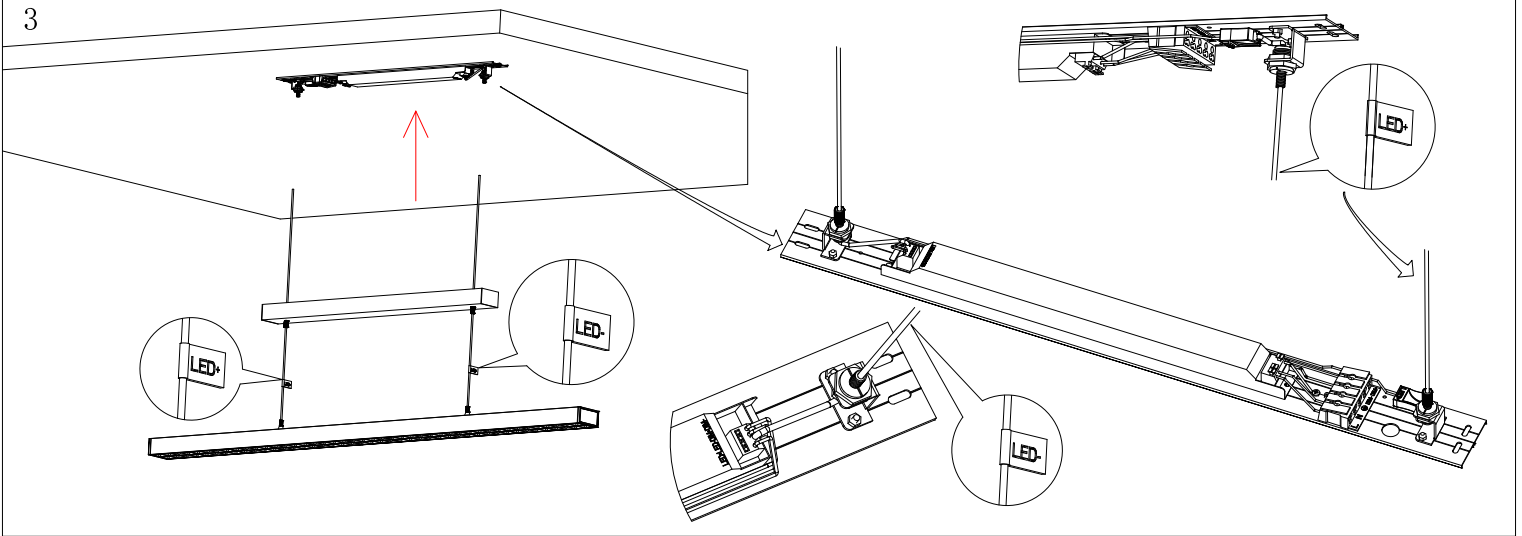


2

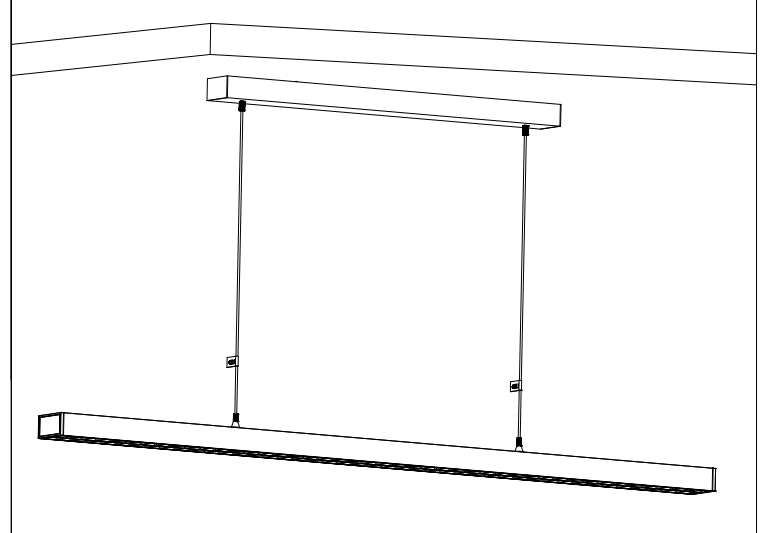
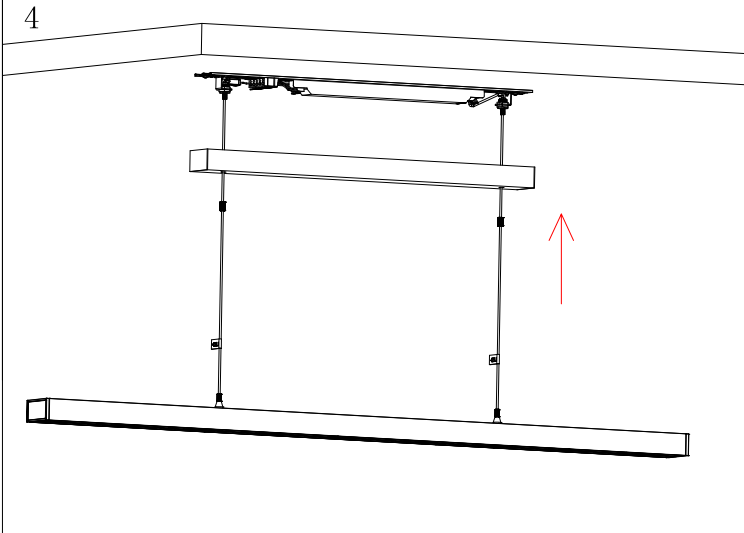
Type	Size	A	B
		19.5mm	568mm








3



4



-  L BROWN
-  N BLUE
-  YELLOW-GREEN =
-  DIM+ RED
-  DIM- BLACK