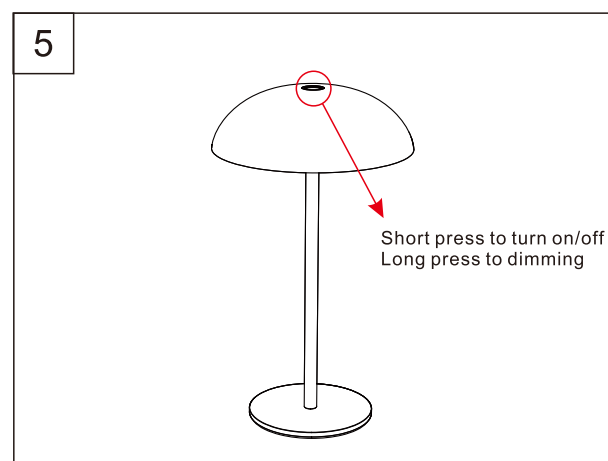
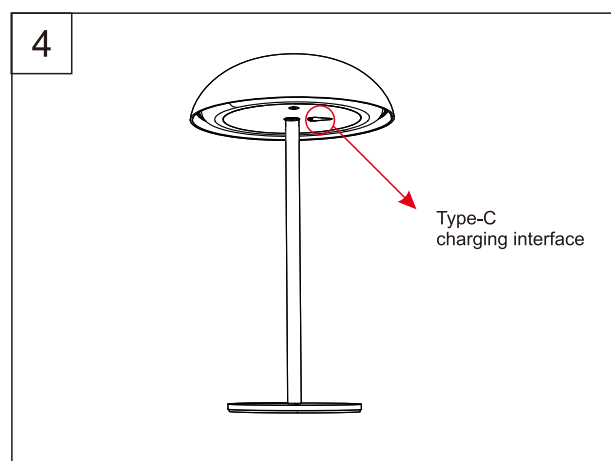
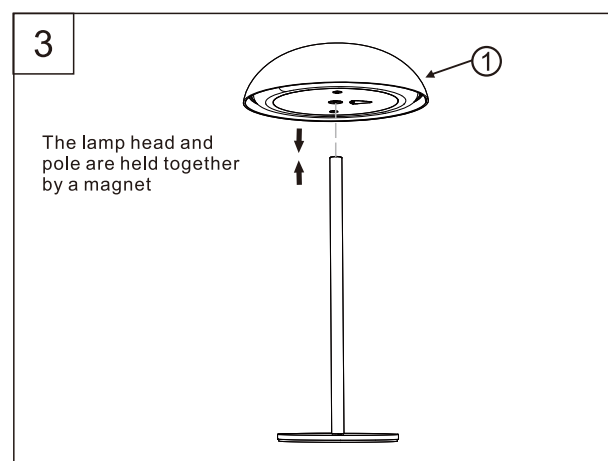
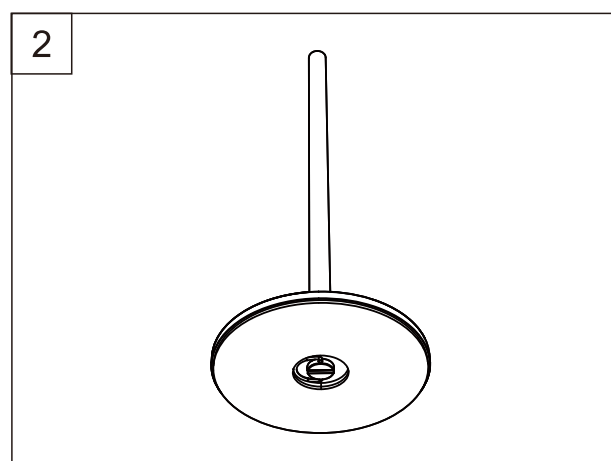
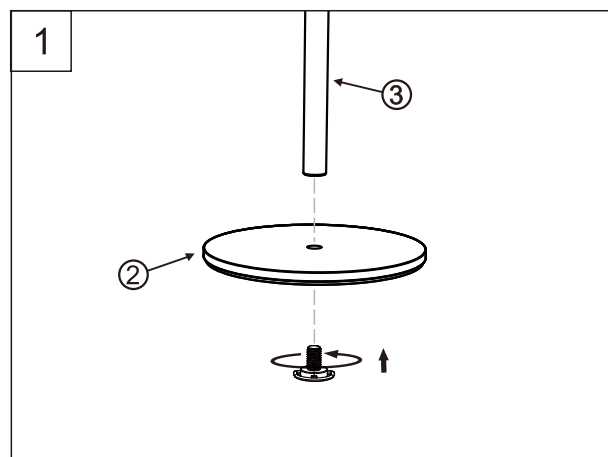
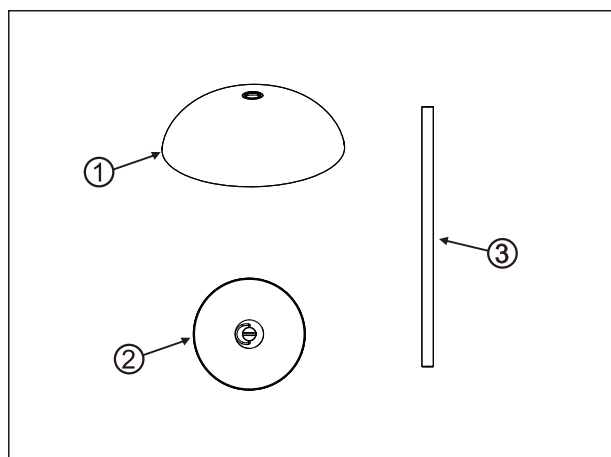


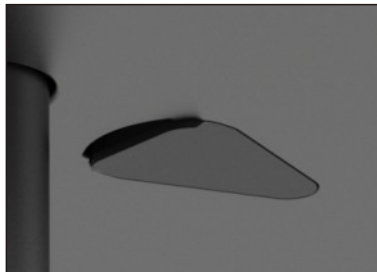
# Installation instruction



# Manual



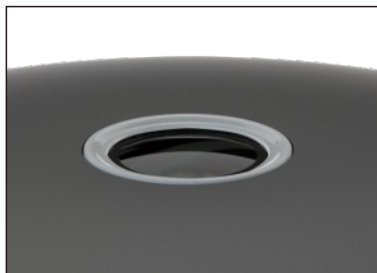
## Type-C charging interface



Type-C charging interface  
(The constant brightness duration at maximum power is about 6-8H, the charging time is about 8H)



## Touch Button & Indicator Light



### 1.ON/OFF & Dimming

Short press to turn on/of f

Long press to dimming

(Long press the touch button for the first time to darken, long press for the second time to lighten, and then long press to continue cycling, the total time of dimming from brightest to darkest is 3 seconds.)

### 2.Battery indicator

If the battery level is below 10%, the indicator light will turn red and the desk lamp will remain on;

If the battery level is below 3%, the desk lamp will turn off and the indicator light will flash for 30 seconds, and the desk lamp does not light up if turn on the lamp, the indicator light will flash for 10 seconds and then turn off.

### 3.Charging instructions

When charging the lamp, the indicator light will light up in red, after charging is completed, the indicator light will light up in blue.  
(The desk lamp cannot be used during charging)