

NIO is a linear link-able indirect lighting fixture, gives a sufficient light around 500lux to the office surface. It comes with minimalist design, excellent material selection and production technology, exquisite appearance, and rich texture. With aluminum 6063 housing and high quality powder coating surface finish, built-in driver solution and link-able connectors. Supports for 1-10v dimming, can be widely used in the office public work area, independent office, meeting rooms, training room, staff canteen and other areas to achieve a comfortable light environment with nearly no glare.

Features

Compact and quality appearance, patent design with rich texture and visual impact

High lumen efficiency reach to 145LM/W

Indirect light deliver a comfortable lighting for space

Easy installation and linkable

Support DALI and 1-10V dimming

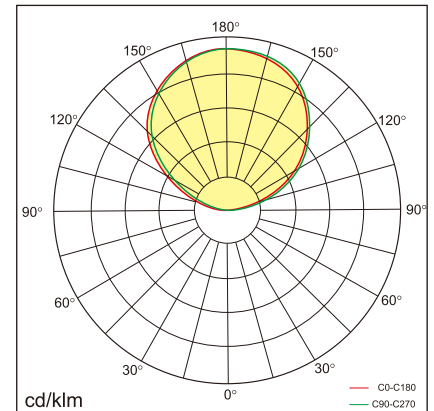
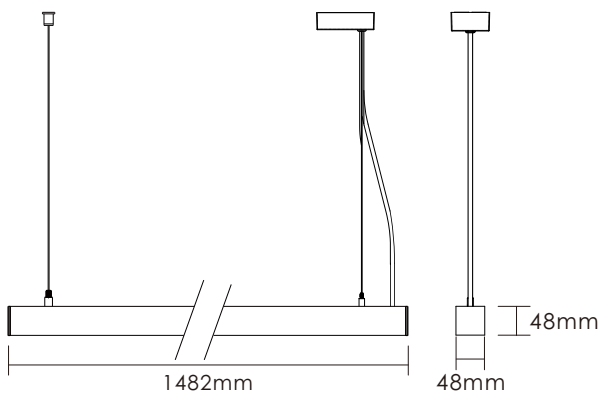
5 years warranty

Application Areas

For open plan office, training room, conference room and other office space.



Technical data



Item No.	BNIP-1507000-NN	BNIP-1507000-VN	BNIP-1507000-DN
Input Power	70W	70W	70W
Input Voltage	AC200~240V	AC200~240V	AC200~240V
Power Factor	≥0.9	≥0.9	≥0.9
Luminous Flux	↑10150 lm	↑10150 lm	↑10150 lm
UGR	<6	<6	<6
Color Rendering Index	>80	>80	>80
Life Time	L80(B10)50,000H	L80(B10)50,000H	L80(B10)50,000H
Beam Angle	120°	120°	120°
CCT	3000/4000/6000K	3000/4000/6000K	3000/4000/6000K
Colour consistency SDCM	< 3	< 3	< 3
Dimming	NO	1-10V dimming	DALI dimming
Sensor	NO	NO	NO
Housing Color	Silver/White	Silver/White	Silver/White
Fixture Material	6063AL	6063AL	6063AL
Protection Level	IP20	IP20	IP20
Storage Temperature	-40°C~+80°C	-40°C~+80°C	-40°C~+80°C
Working Temperature	-20°C~+45°C	-20°C~+45°C	-20°C~+45°C
Net Weight	2.75kg	2.75kg	2.75kg
Package size	1660*195*215mm	1660*195*215mm	1660*195*215mm
20GP	1480pcs	1480pcs	1480pcs
40GP	3080pcs	3080pcs	3080pcs

Shenzhen Nexol Lighting Technology Co.,Ltd.

E-mail: info@nexol-lighting.com

www.nexol-lighting.com

Factory: 3&4th F, Building A3, Xin-Gui-Yuan Industrial Park, DaFu Road, GuanLan Town, ShenZhen, China 518110

Office: 5th F, Building A1, Zhang-Ge Techno Park, GuanLan Town, ShenZhen, China 518110



All values in specification are typical value from laboratory measurement, for concrete data, please refer to shipment testing report.

Information provided is subject to change without notice. Please verify all details with NEXOL Lighting.

Copyright Shenzhen Nexol Lighting Co., Ltd.. All rights reserved.